

TRIUMPH



Tire Selector

Warning

Use the recommended tires ONLY in the combinations given. Do not mix tires from different manufacturers as this may result in loss of motorcycle control and an accident.

MODEL	MODEL YEAR	MANUFACTURER	FRONT TYRE	SPECIFICATION	SIZE	PRESSURE	REAR TYRE	SPECIFICATION	SIZE	PRESSURE
✓ Tiger Sport (From VIN 570059)	2013 on	Pirelli Metzeler Dunlop Michelin	Angel ST Roadtec 28 Interact Roadsmart Pilot Road 3	A Standard Standard Standard	120/70ZR17 58 W 120/70ZR17 58 W 120/70ZR17 58 W 120/70ZR17 58 W	2.34 bar (34 lb/in ²)	Angel ST Pilot Road 3 Roadsmart Pilot Road 3	Standard Standard Standard Standard	180/55ZR17 73 W 180/55ZR17 73 W 180/55ZR17 73 W 180/55ZR17 73 W	2.90 bar (42 lb/in ²)
✗ Tiger Sport (From VIN 570059)	2013 on	Pirelli Metzeler Dunlop Michelin	Angel ST Roadtec 28 Interact Roadsmart Pilot Road 3	A Standard Standard Standard	120/70ZR17 58 W 120/70ZR17 58 W 120/70ZR17 58 W 120/70ZR17 58 W	2.34 bar (34 lb/in ²)	Angel ST Pilot Road 3 Roadsmart Pilot Road 3	Standard Standard Standard Standard	180/55ZR17 73 W 180/55ZR17 73 W 180/55ZR17 73 W 180/55ZR17 73 W	2.90 bar (42 lb/in ²)

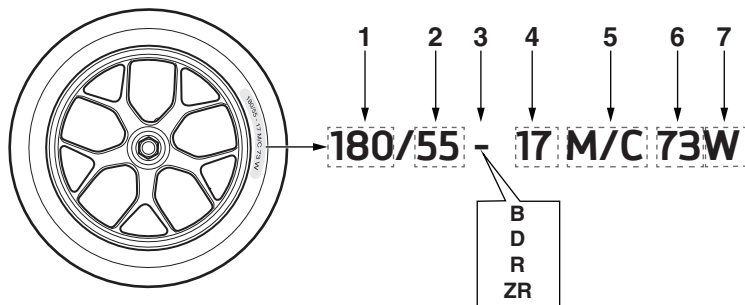
Warning

The use of off road tires will result in reduced motorcycle stability. Always operate a motorcycle equipped with off road tires at reduced speeds. The permissible maximum speed is specified for off road tires in this publication. Operation of the motorcycle above the permissible maximum speed may result in loss of motorcycle control and an accident.

Note:

- The tires listed in this tire selector are correct at the time of publication for motorcycles in current production only. Tires for motorcycles no longer in production are listed for information purposes only and were correct only at the time production ceased. Triumph Motorcycles Limited reserves the right to list an alternative tire for any motorcycle at any time, but has no such obligation to list alternatives where production of a motorcycle or tire has ceased. Tire production for any tire listed may cease at any time and is beyond Triumph Motorcycles Limited control. Inclusion of a tire in this tire selector is not a guarantee of tire availability. No liability can be accepted for any inaccuracies or omissions in this publication, although every possible care has been taken to make it as complete and accurate as possible.

Tire Marking Guide



- Nominal section width (mm).**
- Aspect Ratio (Defines the section height as a percentage of width. i.e 180x55% = 99 mm).**
- Construction type:**
 - B refers to a bias belted construction
 - or D refers to a diagonal ply (historically cross ply)
 - R refers to a radial construction
 - ZR refers to a radial tire capable of over 149 mph (240 km/h).
- Rim diameter in inches.**
- Denotes a motorcycle tire.**
- Load rating.**
- Speed rating.**



Adventure & Touring



Modern Classics



Cruisers



Roadsters & Supersports

Index

Adventure & Touring

Index

Model	Model Year	Manufacturer	Front Tire	Specification	Size	Pressure	Rear Tire	Specification	Size	Pressure
Tiger 855	1993 on	Michelin	T66X		110/80-19	30 lb/in ² (2.07 bar)	T66X		140/80-17	33 lb/in ² (2.27 bar)
	1993 to 1994	Pirelli	MT60		100/90-19		MT60		140/80-17	
	1994 on	Dunlop	Trailmax		100/90-19		Trailmax		140/80-17	
	1995 on	Bridgestone	Trail Wing 101		110/90-19		Trail Wing 152		140/80-17	
Tiger 855	1995 on	Pirelli	MT60R		110/80-19	30 lb/in ² (2.07 bar)	MT80RS		140/80-17	33 lb/in ² (2.27 bar)
	1996 on	Metzeler	Enduro 4		110/80-19		Enduro 4		140/80-17	
	1996 on	Pirelli	MT80R		110/80-19		MT80R		140/80-17	
Tiger 855i (from VIN 71699 up to VIN 124105)	1999 on	Michelin	T66X		110/80-19	36 lb/in ² (2.48 bar)	T66X		150/70-17	42 lb/in ² (2.90 bar)
		Metzeler	Enduro 4		110/80-19		Enduro 4		150/70-17	
Tiger 955i (from VIN 124106 up to VIN 198874)	2001 to 2004	Metzeler	Tourance		110/80R19 59V	36 lb/in ² (2.48 bar)	Tourance		150/70R17 69V	42 lb/in ² (2.90 bar)
	2001 to 2004	Pirelli	MT90		110/80-19		MT90		150/70-17	
	2001 to 2004	Michelin	T66X		110/80-19		T66X		150/70-17	
	2001 to 2004	Bridgestone	Trail Wing 101 Radial		110/80-19		Trail Wing 101 Radial		150/70-17	
Tiger 955i (from VIN 198875 up to VIN 287503)	2004 on	Michelin	Anakee Radial		110/80R19 59V	36 lb/in ² (2.48 bar)	Anakee Radial		150/70-17	42 lb/in ² (2.90 bar)
	2004 on	Bridgestone	Trail Wing 101 Radial		110/80R19 59V		Trail Wing 152 Radial		150/70-17	
Tiger 1050 cc including ABS (from VIN 287504 up to VIN 570058)	2007 to 2013	Michelin	Pilot Road S	Standard	120/70ZR17 58W	34 lb/in ² (2.34 bar)	Pilot Road S	Standard	180/55ZR17 73W	42 lb/in ² (2.90 bar)
	2008 to 2013	Bridgestone	Battlax BT-021	L	120/70ZR17 58W		Battlax BT-021	L	180/55ZR17 73W	
Tiger 800 <small>*Front tire size 110/80R19 59V may be used in markets where the recommended size (100/90-19 57V) is not available.</small>	2011 on	Pirelli	Scorpion Trail	Standard	100/90-19 57V	36 lb/in ² (2.48 bar)	Scorpion Trail	Standard	150/70R17 69V	42 lb/in ² (2.90 bar)
		*Pirelli	*Scorpion Trail	Standard	*110/80R19 59V		Scorpion Trail	Standard	150/70R17 69V	
		Metzeler	Tourance Exp	Standard	100/90-19 57H		Tourance EXP	M	150/70R17 69V	
		*Metzeler	*Tourance Exp	Standard	100/90-19 57V		Tourance EXP	M	150/70R17 69V	
Tiger 800XC	2011 on	Pirelli	Scorpion Trail	Standard	90/90-21 54V	36 lb/in ² (2.48 bar)	Scorpion Trail	Standard	150/70R17 69V	42 lb/in ² (2.90 bar)
		Bridgestone	Battle Wing BW-501	G	90/90-21 54V		Battle Wing BW-502	Standard	150/70R17 69V	
		Michelin	Anakee 3	Standard	90/90-21 54V		Anakee 3	Standard	150/70R17 69V	
Tiger 800XC <small>Dual purpose tires (approved by Triumph for off road and on road use in some countries only). The permissible maximum speed for dual purpose tires is 60 mph (96 km/h).</small>	2011 on	Metzeler	MCE Karoo 2 (T)	Standard	90/90-21 54Q	22 lb/in ² (1.52 bar)	MCE Karoo (T)	Standard	150/70R17 69Q	22 lb/in ² (1.52 bar)
Tiger XR, Tiger XRT, Tiger XRX <small>**Tires recommended and approved for use with Expedition Aluminum Luggage System.</small>	2015 on	**Metzeler	**Tourance Next	**Standard	100/90-19 57V	36 lb/in ² (2.48 bar)	**Tourance Next	**Standard	150/70R17 69V	42 lb/in ² (2.90 bar)
		Pirelli	Scorpion Trail	Standard	100/90-19 57V		Scorpion Trail	Standard	150/70R17 69V	

Adventure & Touring

Index

Model	Model Year	Manufacturer	Front Tire	Specification	Size	Pressure	Rear Tire	Specification	Size	Pressure
Tiger XC, Tiger XCA and Tiger XCX	2015 on	Bridgestone Pirelli Michelin	Battle Wing BW-501 Scorpion Trail Anakee 3	G Standard Standard	90/90-21 54V 90/90-21 54V 90/90-21 54V	36 lb/in ² (2.48 bar)	Battle Wing BW-502 Scorpion Trail Anakee 3	G Standard Standard	150/70R17 69V 150/70R17 69V 150/70R17 69V	42 lb/in ² (2.90 bar)
Tiger XC, Tiger XCA, Tiger XCX Dual purpose tires (approved by Triumph for off road and on road use in some countries only). The permissible maximum speed for dual purpose tires is 60 mph (96 km/h).	2015 on	Metzeler	Karoo 3	Standard	90/90-21 54R	36 lb/in ² (2.48 bar)	Karoo 3	Standard	150/70R17 69R	42 lb/in ² (2.90 bar)
Tiger Explorer and Tiger Explorer XC (up to VIN 740276)	2012 on	Metzeler Pirelli Bridgestone	Tourance EXP Scorpion Trail Battle Wing BW-501	Standard Standard Standard	110/80R19 59V 110/80R19 59V 110/80R19 59V	36 lb/in ² (2.48 bar)	Tourance EXP Scorpion Trail Battle Wing BW-502	Standard Standard Standard	150/70R17 69V 150/70R17 69V 150/70R17 69V	42 lb/in ² (2.90 bar)
Tiger Explorer XC and Tiger Explorer XR - All models (from VIN 740277)	2016 on	Metzeler Continental Michelin	Tourance Next Trail Attack 2 Anakee 3	E Standard Standard	120/70R19 60V 120/70R19 60V 120/70R19 60V	32 lb/in ² (2.21 bar)	Tourance Next Trail Attack 2 Anakee 3	E Standard Standard	170/60R17 72V 170/60R17 72V 170/60R17 72V	39 lb/in ² (2.69 bar)
Tiger Explorer XC and Tiger Explorer XR - All models (from VIN 740277) Dual purpose tires (approved by Triumph for off road and on road use in some countries only). The permissible maximum speed for dual purpose tires is 60 mph (96 km/h).	2016 on	Metzeler	Karoo 3	Standard	120/70R19 60T	32 lb/in ² (2.21 bar)	Karoo 3	Standard	170/60R17 72T	39 lb/in ² (2.69 bar)
Tiger Sport (from VIN 570059 to 741390)	2013 on	Pirelli Pirelli Metzeler Dunlop Michelin	Angel ST Angel GT Roadtec Z8 Interact Roadsmart Pilot Road 3	A A Standard Standard Standard	120/70ZR17 120/70ZR17 120/70ZR17 120/70ZR17 120/70ZR17	34 lb/in ² (2.34 bar)	Angel ST Angel GT Roadtec Z8 Interact Roadsmart Pilot Road 3	Standard Standard Standard Standard Standard	180/55ZR17 73W 180/55ZR17 73W 180/55ZR17 73W 180/55ZR17 73W 180/55ZR17 73W	42 lb/in ² (2.90 bar)
Tiger Sport (from VIN 750470)	2016 on	Pirelli Pirelli Pirelli Dunlop	Angel ST Angel GT Scorpion Trail 2 Roadsmart	A A Standard Standard	120/70ZR17 58W 120/70ZR17 58W 120/70ZR17 58W 120/70ZR17 58W	34 lb/in ² (2.34 bar)	Angel ST Angel GT Scorpion Trail 2 Roadsmart	Standard Standard Standard Standard	180/55ZR17 73W 180/55ZR17 73W 180/55ZR17 73W 180/55ZR17 73W	42 lb/in ² (2.90 bar)

Adventure & Touring

Index

Model	Model Year	Manufacturer	Front Tire	Specification	Size	Pressure	Rear Tire	Specification	Size	Pressure
Sprint, Sprint Sport and Sprint Executive	1993 to 1994	Bridgestone	BT50F		120/70-17	36 lb/in ² (2.48 bar)	BT50R		160/80-18	41 lb/in ² (2.83 bar)
	1993 to 1994	Dunlop	K455FG		120/70-17		K455A		160/80-18	
	1993 to 1994	Michelin	A59X		120/70-17		M59X		160/80-18	
	1993 to 1994	Pirelli	MTR03 Dragon GT		120/70ZR17		MTR04 Dragon GT		170/60ZR17	
	1993 to 1994	Michelin	90X		120/70-17		90X		160/80-18	
	1995 to 1998	Dunlop	D202J		120/70-17		D202G		170/60-17	
	1995 to 1998	Bridgestone	BT54F		120/70-17		BT54R		170/60-17	
	1995 to 1998	Pirelli	MTR03		120/70-17		MTR04		170/60-17	
	1995	Metzeler	ME ZIF		120/70-17		ME Z2		170/60-17	
	1996 to 1998	Bridgestone	BT57F		120/70-17		BT57R		170/60-17	
1996 to 1998	Metzeler	ME Z2		120/70-17	ME Z2		170/60-17			
1996 to 1998	Michelin	Macadam 90X		120/70-17	Macadam 90X		170/60-17			
Trophy 900 and 1200	1991 to 1993	Dunlop	K455A		120/70-17	36 lb/in ² (2.48 bar)	K455A		160/60-18	41 lb/in ² (2.83 bar)
	1991 to 1992	Metzeler	ME1 MBS		120/70-17		ME1 MBS		160/60-18	
	1991 to 1993	Michelin	A59X		120/70-17		M59X		160/60-18	
	1993	Bridgestone	BT50F		120/70-17		BT50R		160/60-18	
	1994 to 1995	Dunlop	D202J		120/70-17		D202G		170/60-17	
	1994	Michelin	A89X		120/70-17		A89X		170/60-17	
	1995 on	Bridgestone	BT54F		120/70-17		BT54R		170/60-17	
	1995 on	Pirelli	MTR03 Dragon GT		120/70ZR17		MTR04 Dragon GT		170/60ZR17	
	1995 on	Metzeler	ME ZIF		120/70-17		ME Z2		170/60-17	
1996	Michelin	Macadam 90X		120/70-17	Macadam 90X		170/60-17			
Sprint ST (up to VIN 139276)	1999 to 2001	Bridgestone	BT57G		120/70-17	36 lb/in ² (2.48 bar)	BT57G		180/55-17	41 lb/in ² (2.83 bar)
		Michelin	90X		120/70-17		90X		180/55-17	
Sprint RS (from VIN 139277)	2000 to 2001	Bridgestone	BT020		120/70-17	36 lb/in ² (2.48 bar)	BT020		180/55-17	41 lb/in ² (2.83 bar)
		Michelin	90X		120/70-17		90X		180/55-17	
		Bridgestone	BT57G		120/70-17		BT57G		180/55-17	
Sprint ST 955 cc (from VIN 139277 up to VIN 208166)	2002 on	Bridgestone	BT57G		120/70-17	36 lb/in ² (2.48 bar)	BT57G		180/55-17	42 lb/in ² (2.90 bar)
		Bridgestone	BT010		120/70-17		BT010		180/55-17	
		Michelin	100X		120/70-17		100X		180/55-17	
Sprint RS 955 cc (up to VIN 139277)	2002 to 2003	Bridgestone	BT020		120/70-17	36 lb/in ² (2.48 bar)	BT020		180/55-17	42 lb/in ² (2.90 bar)
	2002 on	Bridgestone	BT010		120/70-17		BT010		180/55-17	
	2002 on	Michelin	100X		120/70-17		100X		180/55-17	
	2002 on	Bridgestone	BT57G		120/70-17		BT57G		180/55-17	

Adventure & Touring

Index

Model	Model Year	Manufacturer	Front Tire	Specification	Size	Pressure	Rear Tire	Specification	Size	Pressure
Sprint ST 1050 cc (up to VIN 440388)	2005 to 2011	Bridgestone Bridgestone Metzeler	Battlax BT-020 Battlax BT-020 Roadtec Z6 Interact	Standard NN Standard	120/70ZR17 58W 120/70ZR17 58W 120/70ZR17 58W	36 lb/in ² (2.48 bar)	Battlax BT-020 Battlax BT-020 Roadtec Z6 Interact	Standard NN C	180/55ZR17 73W 180/55ZR17 73W 180/55ZR17 73W	42 lb/in ² (2.90 bar)
Sprint GT 1050 cc	2011 on	Bridgestone Pirelli Dunlop Michelin	Battlax BT-021 Angel ST Sportmax Roadsmart Pilot Road 2	FBZ A Standard D	120/70ZR17 58W 120/70ZR17 58W 120/70ZR17 58W 120/70ZR17 58W	36 lb/in ² (2.48 bar)	Battlax BT-021 Angel ST Sportmax Roadsmart Pilot Road 2	Standard E Standard B	180/55ZR17 73W 180/55ZR17 73W 180/55ZR17 73W 180/55ZR17 73W	42 lb/in ² (2.90 bar)
Sprint ST 1050 cc (from VIN 440389)	2011 on	Bridgestone Pirelli Dunlop Bridgestone	Battlax BT-021 Angel ST Sportmax Roadsmart Battlax BT-020	FBZ A Standard Standard	120/70ZR17 58W 120/70ZR17 58W 120/70ZR17 58W 120/70ZR17 58W	36 lb/in ² (2.48 bar)	Battlax BT-021 Angel ST Sportmax Roadsmart Battlax BT-020	Standard E Standard U	180/55ZR17 73W 180/55ZR17 73W 180/55ZR17 73W 180/55ZR17 73W	42 lb/in ² (2.90 bar)
Trophy and Trophy SE 1215 cc (from VIN 561284)	2013 on	Pirelli Metzeler Dunlop Dunlop	Angel ST Roadtec Z8 Interact Sportmax Roadsmart Sportmax Roadsmart II	A Standard Standard Standard	120/70ZR17 58W 120/70ZR17 58W 120/70ZR17 58W 120/70ZR17 58W	36 lb/in ² (2.48 bar)	Angel ST Roadtec Z8 Interact Sportmax Roadsmart Sportmax Roadsmart II	Standard C K Standard	190/55ZR17 75W 190/55ZR17 75W 190/55ZR17 75W 190/55ZR17 75W	42 lb/in ² (2.90 bar)

Cruisers

Index

Model	Model Year	Manufacturer	Front Tire	Specification	Size	Pressure	Rear Tire	Specification	Size	Pressure
America (carburettor models)	2002 on	Bridgestone Metzeler	L303 Lasertec		350-18 110/80-18	Solo - 30 lb/in ² (2.07 bar) Laden - 31 lb/ in ² (2.14 bar)	G456 ME880		170/80-15 170/80B15	Solo - 31 lb/in ² (2.14 bar) Laden - 36 lb/in ² (2.48 bar)
Speedmaster 790 cc (carburettor models)	2003 on	Metzeler	Lasertec		110/80-18	Solo - 30 lb/in ² (2.07 bar) Laden - 31 lb/ in ² (2.14 bar)	ME880		170/80B15	Solo - 31 lb/in ² (2.14 bar) Laden - 36 lb/in ² (2.48 bar)
Speedmaster 865 cc (carburettor models)	2004 to 2008	Metzeler	Lasertec		110/90-18	Solo - 30 lb/in ² (2.07 bar) Laden - 31 lb/ in ² (2.14 bar)	ME880		170/80B15	Solo - 31 lb/in ² (2.14 bar) Laden - 36 lb/in ² (2.48 bar)
America (EFI models)	2008 to 2011	Metzeler	Lasertec	Standard	110/80-18 61H	36 lb/in ² (2.48 bar)	ME880 Marathon	Standard	170/80-15 77H	42 lb/in ² (2.90 bar)
America (EFI models)	2011 on	Metzeler	ME880 Marathon	Standard	130/90-16 67H	30 lb/in ² (2.07 bar)	ME880 Marathon	Standard	170/80-15 77H	42 lb/in ² (2.90 bar)
Speedmaster (EFI models)	2008 to 2011	Metzeler	Lasertec	Standard	110/80-18 61H	36 lb/in ² (2.48 bar)	ME880 Marathon	Standard	170/80-15 77H	42 lb/in ² (2.90 bar)
Speedmaster (EFI models)	2011 on	Metzeler	ME880 Marathon	Standard	100/90-19 57H	36 lb/in ² (2.48 bar)	ME880 Marathon	Standard	170/80-15 77H	42 lb/in ² (2.90 bar)
Rocket III	2005 to 2010	Metzeler	ME880 Marathon	Standard	150/80R17 72V	36 lb/in ² (2.48 bar)	ME880 Marathon	Standard	240/50R16 77V	42 lb/in ² (2.90 bar)
Rocket III Classic	2006 to 2009	Metzeler	ME880 Marathon	Standard	150/80R17 72V	36 lb/in ² (2.48 bar)	ME880 Marathon	Standard	240/50R16 84V	42 lb/in ² (2.90 bar)
Rocket III Touring	2008 on	Metzeler	ME880 Marathon	Standard	150/80R16 71V	36 lb/in ² (2.48 bar)	ME880 Marathon	Standard	180/70R16 77H	42 lb/in ² (2.90 bar)
Rocket III Roadster	2010 on	Metzeler	ME880 Marathon	Standard	150/80R17 72V	34 lb/in ² (2.34 bar)	ME880 Marathon	Standard	240/50R16 84V	42 lb/in ² (2.90 bar)
Thunderbird and Thunderbird Storm/ Night Storm	2009 on	Metzeler Dunlop	ME880 Marathon Sportmax D208	Standard Standard	120/70R19 60V 120/70R19 60W	36 lb/in ² (2.48 bar)	ME880 Marathon Sportmax D208	Standard Standard	200/50R17 75W 200/50R17 75W	38 lb/in ² (2.62 bar)
Thunderbird Commander	2014 on	Metzeler	ME880 Marathon	Standard	140/75R17 67W	36 lb/in ² (2.48 bar)	ME880 Marathon	Standard	200/50R17 75W	38 lb/in ² (2.62 bar)
Thunderbird LT	2014 on	Avon Metzeler	Cobra Whitewall ME880 Marathon	Standard Standard	150/80R16 71H 150/80R16 71H	36 lb/in ² (2.48 bar) 39 lb/in ² (2.69 bar)	Cobra Whitewall ME880 Marathon	Standard Standard	180/70R16 77H 180/70R16 77H	44 lb/in ² (3.03 bar) 42 lb/in ² (2.90 bar)

Modern Classics

Index

Model	Model Year	Manufacturer	Front Tire	Specification	Size	Pressure	Rear Tire	Specification	Size	Pressure
Thunderbird	1995 to 1998	Michelin	A89X		110/80ZR18	36 lb/in ² (2.48 bar)	M89X		160/80ZR16	42 lb/in ² (2.90 bar)
	1995 on	Avon	AV27		110/80-18 58H		ELAN II RL30		160/80-16 75H	
	1995 to 1998	Dunlop	K105F		110/80-18		K700J		150/80-16	
	1999 on	Michelin	Macadam 90X		110/80-18		Macadam 90X		150/80-16	
	1999 on	Pirelli	MTR03		110/80ZR18 58W		MTR04		150/80ZR16 71W	
Adventurer (up to VIN 71698)	1996 to 1998	Avon	AV27		110/80-18	36 lb/in ² (2.48 bar)	Elan II RL30		160/80-16	42 lb/in ² (2.90 bar)
		Michelin	A89X		110/80-18		M89X		160/80-16	
		Dunlop	K105F		110/80-18		K700J		160/80-16	
Adventurer (from VIN 71699)	1999 on	Michelin Metzeler	Macadam 50 ME 33		110/90-18 110/90-18	36 lb/in ² (2.48 bar)	Macadam 50		150/80-16	42 lb/in ² (2.90 bar)
					ME Z2			150/80-16		
Thunderbird Sport	1998 to 1999	Avon	AV27		120/70R17	36 lb/in ² (2.48 bar)	AV281		160/70R17	42 lb/in ² (2.90 bar)
	1998 to 1999	Pirelli	Dragon GT		120/70R17		Dragon GT		160/70R17	
	2000 on	Pirelli	MTR23		120/70R17		MTR24		160/70R17	
	2000 on	Metzeler	ME Z4B		120/70R17		ME Z4		160/70R17	
Legend TT	1999 on	Bridgestone	BT57		120/70R17	36 lb/in ² (2.48 bar)	BT57		160/60-17	42 lb/in ² (2.90 bar)
		Michelin	M90X		120/70R17		M90X		160/60-17	
		Michelin	Macadam		120/70R17		Macadam		160/60-17	
Bonneville (carburettor models)	2001 on	Bridgestone	BT45 F		100/90-19	33 lb/in ² (2.27 bar)	BT45 R		130/80-17	38 lb/in ² (2.62 bar)
		Metzeler	ME 33 Laser		100/90-19		ME Z2		130/80R17	
Bonneville T100 (carburettor models)	2001 on	Metzeler	ME 33 Laser		100/90-19	33 lb/in ² (2.27 bar)	ME Z2		130/80R17	38 lb/in ² (2.62 bar)
Scrambler (carburettor models)	2006 on	Bridgestone	TW 101	Standard	100/90-19	30 lb/in ² (2.07 bar)	TW 42	Standard	130/80-17	34 lb/in ² (2.34 bar)
Thruxton (carburettor models)	2005 on	Metzeler	Lasertec	Standard	100/90-18	33 lb/in ² (2.27 bar)	ME Z2	Standard	130/80R17	38 lb/in ² (2.62 bar)
Bonneville (EFI models)	2008 to 2009	Metzeler	Lasertec	Standard	100/90-19	33 lb/in ² (2.27 bar)	ME Z2	Standard	130/80R17	41 lb/in ² (2.83 bar)
Bonneville (EFI models)	2009 on	Metzeler	ME Z4	Standard	110/70R17 54H	33 lb/in ² (2.27 bar)	ME Z2	Standard	130/80R17 65H	41 lb/in ² (2.83 bar)
Bonneville T100 (EFI models) Including Steve McQueen™ edition and Bonneville 110th edition	2008 on	Metzeler	Lasertec	Standard	100/90-19 57H	33 lb/in ² (2.27 bar)	ME Z2	Standard	130/80R17 65H	41 lb/in ² (2.83 bar)
Scrambler (EFI models)	2008 on	Bridgestone	Trail Wing TW-101	Standard	100/90-19 57H	30 lb/in ² (2.07 bar)	Trail Wing TW-42	Standard	130/80R17 65H	41 lb/in ² (2.83 bar)
Thruxton (EFI models)	2008 on	Metzeler	Lasertec	Standard	100/90-18 56H	32 lb/in ² (2.21 bar)	ME Z2	Standard	130/80R17 65H	41 lb/in ² (2.83 bar)

Modern Classics

Index

Model	Model Year	Manufacturer	Front Tire	Specification	Size	Pressure	Rear Tire	Specification	Size	Pressure
Street Twin	2016 on	Pirelli	Phantom Sportscomp	Standard	100/90-18 56H	32 lb/in ² (2.21 bar)	Phantom Sportscomp	Standard	150/70R17 69H	36 lb/in ² (2.48 bar)
Street Twin A2	2016 on	Pirelli	Phantom Sportscomp	Standard	100/90-18 56H	32 lb/in ² (2.21 bar)	Phantom Sportscomp	Standard	150/70R17 69H	36 lb/in ² (2.48 bar)
Street Cup	2016 on	Pirelli Avon	Phantom Sportscomp Storm 3D X-M	Standard Standard	100/90-18 56H 100/90R18 56V	32 lb/in ² (2.21 bar)	Phantom Sportscomp Storm 3D X-M	Standard Standard	150/70R17 69H 150/70R17 69V	36 lb/in ² (2.48 bar)
Street Scrambler	2016 on	Metzeler	Tourance	Standard	100/90-19 57H	30 lb/in ² (2.07 bar)	Tourance	Standard	150/70R17 69V	36 lb/in ² (2.48 bar)
Bonneville T100 (from VIN 759204)	2016 on	Pirelli	Phantom Sportscomp	Standard	100/90-18 56H	32 lb/in ² (2.21 bar)	Phantom Sportscomp	Standard	150/70R17 69H	36 lb/in ² (2.48 bar)
Bonneville T120	2016 on	Pirelli Avon	Phantom Sportscomp Storm 3D X-M	Standard Standard	100/90-18 56H 100/90 R18 56V	32 lb/in ² (2.21 bar)	Phantom Sportscomp Storm 3D X-M	Standard Standard	150/70R17 69H 150/70R17 69H	36 lb/in ² (2.48 bar)
Bonneville Bobber	2016 on	Avon	Cobra AV71	Standard	100/90-19 57V	32 lb/in ² (2.21 bar)	Cobra AV72	Standard	150/80R16 71V	42 lb/in ² (2.90 bar)
Thruxton 1200	2016 on	Pirelli Pirelli Metzeler	Angel GT Diablo Rosso Corsa Racetec RR K3	A Standard Standard	120/70ZR17 58W 120/70ZR17 58W 120/70ZR17 58W	36 lb/in ² (2.48 bar)	Angel GT Diablo Rosso Corsa Racetec RR K3	Standard Standard Standard	160/60ZR17 69W 160/60ZR17 69W 160/60ZR17 69W	36 lb/in ² (2.48 bar)
Thruxton 1200R	2016 on	Pirelli Pirelli Metzeler	Diablo Rosso CORSA Angel GT Racetec RR K3	Standard A Standard	120/70ZR17 58W 120/70ZR17 58W 120/70ZR17 58W	36 lb/in ² (2.48 bar)	Diablo Rosso Corsa Angel GT Racetec RR K3	Standard Standard Standard	160/60ZR17 69W 160/60ZR17 69W 160/60ZR17 69W	36 lb/in ² (2.48 bar)

Roadsters & Supersports

Index

Model	Model Year	Manufacturer	Front Tire	Specification	Size	Pressure	Rear Tire	Specification	Size	Pressure
Speed Triple 900 cc	1994 on	Michelin	TX11		120/70-17	32 lb/in ² (2.21 bar)	TX23A		180/55-17	38 lb/in ² (2.62 bar)
	1994 on	Bridgestone	BT50F		120/70-17		BT50 Radial G		180/55-17	
	1994 to 1995	Michelin	TX11		120/70-17		TX23B		180/55-17	
	1995 on	Dunlop	D203 Sportmax		120/70-17		D203 Sportmax		180/55-17	
	1996	Michelin	TX15		120/70-17		TX25		180/55-17	
	1994 to 1996	Pirelli	MTR01 Corsa		120/70-17		MTR02 Corsa		180/55-17	
	1994 to 1996	Metzeler	ME Z12		120/70-17		ME Z1R		180/55-17	
	1994 to 1996	Pirelli	MTR01		120/70-17		MTR02		180/55-17	
	1994 to 1996	Metzeler	ME Z1		120/70-17		ME Z1		180/55-17	
Speed Triple 750 cc	1996 to 1997	Michelin	90X		120/70-17	32 lb/in ² (2.21 bar)	90X		160/60-18	38 lb/in ² (2.62 bar)
		Pirelli	MTR03 Dragon GT		120/70-17		MTR04 Dragon GT		160/60-18	
Trident 750 cc and 900 cc	1991 to 1995	Dunlop	K455F		120/70-17	36 lb/in ² (2.48 bar)	K455A		160/60-18	41 lb/in ² (2.83 bar)
	1991 on	Michelin	A59X		120/70-17		M59X		160/60-18	
	1991 on	Pirelli	MTR03 Dragon GT		120/70-17		MTR04 Dragon GT		160/60-18	
	1993 on	Bridgestone	BT50F		120/70-17		BT50R		160/60-18	
		Michelin	90X		120/70-17		90X		160/60-18	
Speed Triple 885 cc and 955 cc (up to VIN 141871)	1997 on	Bridgestone	BT56		120/70-17	32 lb/in ² (2.21 bar)	BT56		190/50-17	42 lb/in ² (2.90 bar)
		Michelin	TX15 Hi Sport		120/70-17		TX25 Hi Sport		190/50-17	
		Metzeler	RCG		120/70-17		RCG		190/50-17	
Speed Triple 955 cc (from VIN 141872 to 210444)	2002 on	Bridgestone	BT010		120/70-17	32 lb/in ² (2.21 bar)	BT010		190/50-17	42 lb/in ² (2.90 bar)
		Pirelli	Dragon Evo		120/70-17		Dragon Evo		190/50-17	
		Metzeler	ME Z3		120/70-17		ME Z3		190/50-17	
Speed Four	2002 on	Bridgestone	BT010		120/70R17	34 lb/in ² (2.34 bar)	BT010		180/55R17	38 lb/in ² (2.62 bar)
		Michelin	Pilot Sport		120/70R17		Pilot Sport		180/55R17	
		Pirelli	Dragon Evo		120/70R17		Dragon Evo		180/55R17	
Speed Triple 1050 cc (from VIN 210445 to 332110)	2005 to 2009	Michelin	Pilot Power		120/70ZR17	34 lb/in ² (2.34 bar)	Pilot Power		180/55ZR17	42 lb/in ² (2.90 bar)
		Bridgestone	BT14		120/70ZR17		BT14		180/55ZR17	
Speed Triple 1050 cc (from VIN 332110 to 461331)	2009 to 2011	Metzeler	Sportec M3	C	120/70ZR17 58W	34 lb/in ² (2.34 bar)	Sportec M3	Standard	180/55ZR17 73W	42 lb/in ² (2.90 bar)
		Dunlop	Sportmax Qualifier	Standard	120/70ZR17 58W		Sportmax Qualifier	Standard	180/55ZR17 73W	
		Bridgestone	Battlax BT-015	G	120/70ZR17 58W		Battlax BT-015	E	180/55ZR17 73W	
		Bridgestone	Battlax BT-016	Standard	120/70ZR17 58W		Battlax BT-016	Standard	180/55ZR17 73W	

Roadsters & Supersports

Index

Model	Model Year	Manufacturer	Front Tire	Specification	Size	Pressure	Rear Tire	Specification	Size	Pressure
Speed Triple 1050 cc (from VIN 461332 to 733009)	2011 on	Metzeler	Racetec Interact K3	Standard	120/70ZR17 58W	34 lb/in ² (2.34 bar)	Racetec Interact K3	Standard	190/55ZR17 75W	42 lb/in ² (2.90 bar)
		Bridgestone	Battlax BT-003 Racing Street	Standard	120/70ZR17 58W		Battlax BT-003 Racing Street	Standard	190/55ZR17 75W	
		Bridgestone	Battlax BT-016	Standard	120/70ZR17 58W		Battlax BT-016	Standard	190/55ZR17 75W	
		Pirelli	Diablo Rosso Corsa	Standard	120/70ZR17 58W		Diablo Rosso Corsa	Standard	190/55ZR17 75W	
		Michelin	Power Pure	Standard	120/70ZR17 58W		Power Pure	Standard	190/55ZR17 75W	
		Michelin	Pilot Road 2	Standard	120/70ZR17 58W		Pilot Road 2	Standard	190/55ZR17 75W	
Speed Triple R 1050 cc (up to VIN 733009)	2012 on	Metzeler	Racetec Interact K3	Standard	120/70ZR17 58W	34 lb/in ² (2.34 bar)	Racetec Interact K3	Standard	190/55ZR17 75W	42 lb/in ² (2.90 bar)
	2012 on	Bridgestone	Battlax BT-016	Standard	120/70ZR17 58W		Battlax BT-016	Standard	190/55ZR17 75W	
	2012 on	Michelin	Pilot Road 2	Standard	120/70ZR17 58W		Pilot Road 2	Standard	190/55ZR17 75W	
	2012 on	Pirelli	Racetec Interact K3	Standard	120/70ZR17 58W		Racetec Interact K3	Standard	190/55ZR17 75W	
	2013 on	Pirelli	Diablo Supercorsa SP	Standard	120/70ZR17 58W		Diablo Supercorsa SP	Standard	190/55ZR17 75W	
Speed Triple S and Speed Triple R (from VIN 735337)	2016 on	Pirelli	Diablo Supercorsa SP	Standard	120/70ZR17 58W	34 lb/in ² (2.34 bar)	Diablo Supercorsa SP	Standard	190/55ZR17 75W	42 lb/in ² (2.90 bar)
		Pirelli	Diablo Rosso Corsa	Standard	120/70ZR17 58W		Diablo Rosso Corsa	Standard	190/55ZR17 75W	
		Metzeler	Sportec M7 RR	M	120/70ZR17 58W		Sportec M7 RR	Standard	190/55ZR17 75W	
		Michelin	Pilot Road 3	Standard	120/70ZR17 58W		Pilot Road 3	Standard	190/55ZR17 75W	
Street Triple (up to VIN 459241)	2007 to 2009	Bridgestone	Battlax BT-016	Standard	120/70ZR17 58W	34 lb/in ² (2.34 bar)	Battlax BT-016	Standard	180/55ZR17 73W	42 lb/in ² (2.90 bar)
	2007 to 2009	Bridgestone	Battlax BT-015	G	120/70ZR17 58W		Battlax BT-015	E	180/55ZR17 73W	
	2007 to 2009	Dunlop	Sportmax Qualifier	Standard	120/70ZR17 58W		Sportmax Qualifier	Standard	180/55ZR17 73W	
Street Triple (from VIN 459241 to 560476)	2012 to 2013	Bridgestone	Battlax BT-016	Standard	120/70ZR17 58W	34 lb/in ² (2.34 bar)	Battlax BT-016	Standard	180/55ZR17 73W	42 lb/in ² (2.90 bar)
	2010 to 2013	Pirelli	Diablo Rosso Corsa	K	120/70ZR17 58W		Diablo Rosso Corsa	Standard	180/55ZR17 73W	
	2010 to 2013	Metzeler	Sportec M3	C	120/70ZR17 58W		Sportec M3	Standard	180/55ZR17 73W	
	2012 to 2013	Dunlop	Sportmax Qualifier	Standard	120/70ZR17 58W		Sportmax Qualifier	Standard	180/55ZR17 73W	
Street Triple R (up to VIN 452037)	2007 to 2009	Dunlop	Sportmax Qualifier	Standard	120/70ZR17 58W	34 lb/in ² (2.34 bar)	Sportmax Qualifier	Standard	180/55ZR17 73W	42 lb/in ² (2.90 bar)
Street Triple R (from VIN 452037 to 560477)	2009 to 2013	Dunlop	Sportmax Qualifier	Standard	120/70ZR17 58W	34 lb/in ² (2.34 bar)	Sportmax Qualifier	Standard	180/55ZR17 73W	42 lb/in ² (2.90 bar)
	2012 to 2013	Pirelli	Diablo Rosso Corsa	Standard	120/70ZR17 58W		Diablo Rosso Corsa	Standard	180/55ZR17 73W	
	2012 to 2013	Bridgestone	Battlax BT-016	Standard	120/70ZR17 58W		Battlax BT-016	Standard	180/55ZR17 73W	
	2012 to 2013	Pirelli	Dragon Supercorsa Pro	Standard	120/70ZR17 58W		Dragon Supercorsa Pro	Standard	180/55ZR17 73W	
Street Triple, Street Triple R (from VIN 560477 to 793031) and Street Triple Rx	2013 on	Pirelli	Diablo Rosso Corsa	Standard	120/70ZR17 58W	34 lb/in ² (2.34 bar)	Diablo Rosso Corsa	Standard	180/55ZR17 73W	42 lb/in ² (2.90 bar)
		Metzeler	Sportec M5 Interact	Standard	120/70ZR17 58W		Sportec M5 Interact	Standard	180/55ZR17 73W	
		Dunlop	Sportmax Qualifier II	Standard	120/70ZR17 58W		Sportmax Qualifier II	Standard	180/55ZR17 73W	
		Bridgestone	Battlax BT-016 Pro	Standard	120/70ZR17 58W		Battlax BT-016 Pro	Standard	180/55ZR17 73W	
Street Triple S (All models)	2017 on	Pirelli	Diablo Rosso Corsa	Standard	120/70ZR17 58W	34 lb/in ² (2.34 bar)	Diablo Rosso Corsa	Standard	180/55ZR17 73W	42 lb/in ² (2.90 bar)
Street Triple R (All models from VIN 793032)	2017 on	Pirelli	Diablo Rosso Corsa	Standard	120/70ZR17 58W	34 lb/in ² (2.34 bar)	Diablo Rosso Corsa	Standard	180/55ZR17 73W	42 lb/in ² (2.90 bar)

Roadsters & Supersports

Index

Model	Model Year	Manufacturer	Front Tire	Specification	Size	Pressure	Rear Tire	Specification	Size	Pressure
Street Triple RS	2017 on	Pirelli	Diablo Supercorsa SP	Standard	120/70ZR17 58W	34 lb/in ² (2.34 bar)	Diablo Supercorsa SP	Standard	180/55ZR17 73W	42 lb/in ² (2.90 bar)
Daytona 750 and Daytona 1000	1991 to 1992	Michelin Dunlop	TX11 K455F		120/70-17 120/70-17	36 lb/in ² (2.48 bar)	TX23 K455A		160/60-18 160/60-18	41 lb/in ² (2.83 bar)
Daytona 900 and Daytona 1200	1993 1994 on 1993 1994 1994 to 1995 1994 to 1995 1995 on 1995 1995 1995 1996 on 1996 on	Bridgestone Bridgestone Dunlop Michelin Michelin Dunlop Michelin Pirelli Pirelli Metzeler Michelin Metzeler	BT50F BT50F K455FG TX11 TX11 D364 TX11A MTR01 MTR01 Corsa ME Z1F TX15 ME Z1R		120/70-17 120/70-17 120/70-17 120/70-17 120/70-17 120/70-17 120/70-17 120/70-17 120/70-17 120/70-17 120/70-17 120/70-17	36 lb/in ² (2.48 bar)	BT50R BT50R Radial G K455A TX23A TX23B D364 TX23A MTR02 MTR02 Corsa ME Z1 TX25 ME Z1R		160/60-18 180/55-17 160/60-18 180/55-17 180/55-17 180/55-17 180/55-17 180/55-17 180/55-17 180/55-17 180/55-17 180/55-17	41 lb/in ² (2.83 bar)
Super III	1994 to 1995 1994 on 1994 on 1994 to 1995 1995 1995 on 1995 1996 1996	Dunlop Bridgestone Michelin Michelin Pirelli Pirelli Metzeler Michelin Metzeler	D364 BT50F TX11 TX11 MTR01 MTR01 Corsa ME Z1F TX15 ME Z1R		120/70-17 120/70-17 120/70-17 120/70-17 120/70-17 120/70-17 120/70-17 120/70-17 120/70-17	36 lb/in ² (2.48 bar)	D364 BT50 Radial G TX23A TX23B MTR02 MTR02 Corsa ME Z1 TX25 ME Z1R		180/55-17 180/55-17 180/55-17 180/55-17 180/55-17 180/55-17 180/55-17 180/55-17 180/55-17	41 lb/in ² (2.83 bar)
Daytona 955i (up to VIN 132512)	1997 on	Bridgestone Michelin Metzeler Michelin Pirelli	BT56 TX15 Hi Sport RCG TX15 MTR01 Corsa		120/70-17 120/70-17 120/70-17 120/70-17 120/70-17	36 lb/in ² (2.48 bar)	BT56 TX25 Hi Sport RCG TX25 MTR02 Corsa		190/50-17 190/50-17 190/50-17 190/50-17 190/50-17	42 lb/in ² (2.90 bar)
Daytona 955i - Double sided swinging arm (from VIN 132513)	2001 on	Bridgestone Michelin Pirelli Metzeler	BT010 Pilot Sport Dragon Evo ME Z3		120/70-17 120/70-17 120/70-17 120/70-17	32 lb/in ² (2.21 bar)	BT010 Pilot Sport Dragon Evo ME Z3		180/55-17 180/55-17 180/55-17 180/55-17	38 lb/in ² (2.62 bar)

Roadsters & Supersports

Index

Model	Model Year	Manufacturer	Front Tire	Specification	Size	Pressure	Rear Tire	Specification	Size	Pressure
Daytona 955i - Single sided swinging arm (from VIN 132513)	2002 on	Bridgestone	BT010		120/70-17	36 lb/in ² (2.48 bar)	BT010		190/50-17	42 lb/in ² (2.90 bar)
		Pirelli	Dragon Evo		120/70-17		Dragon Evo	190/50-17		
		Metzeler	ME23		120/70-17		ME23	190/50-17		
TT600	2000 on	Bridgestone	BT010		120/70R17	34 lb/in ² (2.34 bar)	BT010		180/55R17	38 lb/in ² (2.62 bar)
		Michelin	Pilot Sport		120/70R17		Pilot Sport	180/55R17		
		Pirelli	Dragon Evo		120/70R17		Dragon Evo	180/55R17		
Daytona 600 and 650	2004 on	Pirelli	Diablo T		120/70ZR17 58W	34 lb/in ² (2.34 bar)	Diablo T		180/55ZR17 73W	38 lb/in ² (2.62 bar)
		Bridgestone	BT012		120/70R17		BT012	180/55ZR17 73W		
		Metzeler	Sportec M1		120/70R17		Sportec M1	180/55ZR17 73W		
		Michelin	Pilot Sport		120/70ZR17		Pilot Sport	180/55ZR17 73W		
Daytona 675 (up to VIN 381274)	2006 to 2009	Pirelli	Dragon Supercorsa Pro		120/70ZR17	34 lb/in ² (2.34 bar)	Dragon Supercorsa Pro		180/55ZR17	36 lb/in ² (2.48 bar)
		Michelin	Pilot Power B		120/70ZR17		Pilot Power B	180/55ZR17		
		Bridgestone	BT014 G		120/70ZR17		BT014 G	180/55ZR17		
Daytona 675 and Daytona 675R (from VIN 381275 to 564947)	2009 to 2013	Pirelli	Diablo Supercorsa SP	Standard	120/70ZR17 58W	34 lb/in ² (2.34 bar)	Diablo Supercorsa SP	Standard	180/55ZR17 73W	36 lb/in ² (2.48 bar)
		Dunlop	Sportmax Qualifier	Standard	120/70ZR17 58W		Sportmax Qualifier	Standard	180/55ZR17 73W	
		Metzeler	Sportec M3	C	120/70ZR17 58W		Sportec M3	Standard	180/55ZR17 73W	
Daytona 675 and Daytona 675R (from VIN 564948)	2013 on	Pirelli	Diablo Supercorsa SP	Standard	120/70ZR17 58W	34 lb/in ² (2.34 bar)	Diablo Supercorsa SP	Standard	180/55ZR17 73W	36 lb/in ² (2.48 bar)
		Metzeler	Racetec Interact K3	Standard	120/70ZR17 58W		Racetec Interact K3	Standard	180/55ZR17 73W	
		Pirelli	Diablo Rosso Corsa	Standard	120/70ZR17 58W		Diablo Rosso Corsa	Standard	180/55ZR17 73W	
		Bridgestone	Battlax BT-016 Pro	Standard	120/70ZR17 58W		Battlax BT-016 Pro	Standard	180/55ZR17 73W	